

# Bourdon tube pressure gauge Model 213.40, liquid filling, forged brass case

WIKA data sheet PM 02.06



for further approvals  
see page 2

## Applications

- For measuring points with high dynamic pressure loads or vibrations
- For gaseous and liquid media that are not highly viscous or crystallising and will not attack copper alloy parts
- Mining
- Hydraulics
- Shipbuilding

## Special features

- Vibration and shock resistant
- Especially robust design
- NS 63 and 100 with Germanischer Lloyd and Gosstandart approval
- Scale range up to 0 ... 1,000 bar



Bourdon tube pressure gauge model 213.40

## Description

### Design

EN 837-1

### Nominal size in mm

63, 80, 100

### Accuracy class

NS 63, 80: 1.6

NS 100: 1.0

### Scale ranges

0 ... 0.6 to 0 ... 1,000 bar

or all other equivalent vacuum or combined pressure and vacuum ranges

### Pressure limitation

NS 63, 80:	Steady:	3/4 x full scale value
	Fluctuating:	2/3 x full scale value
	Short time:	Full scale value
NS 100:	Steady:	Full scale value
	Fluctuating:	0.9 x full scale value
	Short time:	1.3 x full scale value

### Permissible temperature

Ambient: -20 ... +60 °C

Medium: +60 °C maximum

### Temperature effect

When the temperature of the measuring system deviates from the reference temperature (+20 °C): max.  $\pm 0.4 \%$  / 10 K of the span

### Ingress protection

IP 65 per EN 60529 / IEC 60529

## Standard version

### Process connection

Copper alloy, lower mount (LM) or back mount (BM)

NS 63: G ¼ B (male), 14 mm flats

NS 80, 100: G ½ B (male), 22 mm flats

### Pressure element

NS 63:

Copper alloy, C-type or helical type

NS 80, 100:

Copper alloy, C-type

Stainless steel 1.4571 or 1.4404, helical type

### Movement

Copper alloy

### Dial

NS 63: Plastic ABS, white, with pointer stop pin

NS 80, 100: Aluminium, white

Black lettering

### Pointer

Aluminium, black

### Window

Clear non-splintering plastic

### Case

Solid forged brass, with blow-out device at case

circumference, 12 o'clock.

Scale ranges ≤ 0 ... 16 bar with compensating valve to vent case.

### Bezel ring

Crimp ring, stainless steel

NS 63, 80: Natural finish

NS 100: Polished

### Filling liquid

Glycerine

## Options

- Other process connection
- Sealings (model 910.17, see data sheet AC 09.08)
- Internal pressure compensation (pressure compensation foil)
- Increased medium temperature up to 100 °C with special soft solder
- Ambient temperature resistant -40 ... +60 °C with silicone oil filling
- Panel or surface mounting flange
- Triangular bezel with clamp
- Centre back mount (CBM) for NS 80 with scale range ≥ 60 bar

## CE conformity

### Pressure equipment directive

97/23/EC, PS > 200 bar, module A, pressure accessory

## Approvals

- **GL**, ships, shipbuilding (e.g. offshore), Germany
- **EAC**, import certificate, customs union Russia/Belarus/Kazakhstan
- **GOST**, metrology/measurement technology, Russia
- **CRN**, safety (e.g. electr. safety, overpressure, ...), Canada

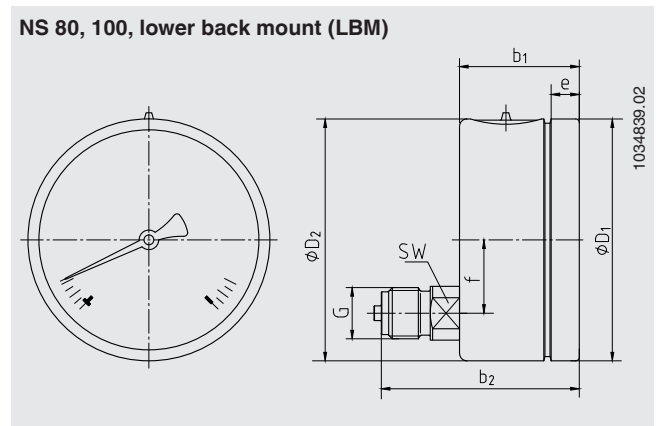
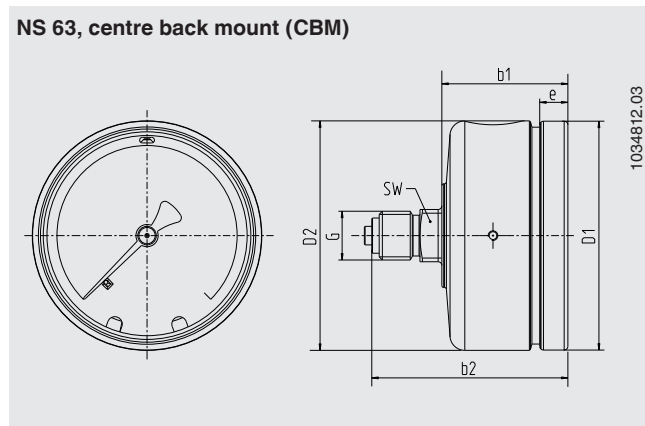
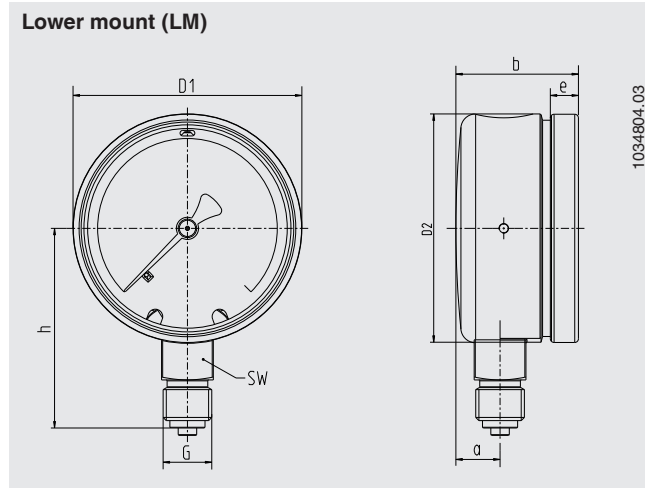
## Certificates (Option)

- 2.2 test report per EN 10204 (e.g. state-of-the-art manufacturing, material proof, indication accuracy)
- 3.1 inspection certificate per EN 10204 (e.g. indication accuracy)

Approvals and certificates, see website

# Dimensions in mm

## Standard version



NS	Dimensions in mm											Weight in kg
	a	b	b <sub>1</sub>	b <sub>2</sub>	D <sub>1</sub>	D <sub>2</sub>	e	f	G	h ±1	SW	
63	12	36	36	56	62	62	10.5	-	G ¼ B	54	14	0.30
80	14	38.5	38.5	69.5	79	79	8.5	23	G ½ B	76	22	0.80
100	13.5	49	49	81	99	99	11.5	30	G ½ B	87	22	1.10

Process connection per EN 837-1 / 7.3

## Ordering information

Model / Nominal size / Scale range / Connection size / Connection location / Options

© 2005 WIKA Alexander Wiegand SE & Co. KG, all rights reserved.  
 The specifications given in this document represent the state of engineering at the time of publishing.  
 We reserve the right to make modifications to the specifications and materials.

