

Differential pressure measuring instrument

Nominal size 63

Model A2G-mini

WIKA data sheet PM 07.43



Applications

- For monitoring the differential pressure of air and dry, clean and non-aggressive gases
- Differential pressure monitoring in filters
- Overpressure monitoring in cleanrooms
- For very low pressures

Special features

- Optimal readability with minimal space requirements
- All-metal design
- Simple and quick mounting
- Silicone-free



Differential pressure measuring instrument with mounting bracket, model A2G-mini

Description

The model A2G-mini differential pressure measuring instrument is used for monitoring differential pressures of the filter units in small and medium-sized central air-handling units. Further application cases are in industrial air extraction units and dust extraction plants as well as in the cleanroom industry. Its compact design and flush panel mounting enable an optimal integration in the enclosure structures of ventilation equipment.

The pure metal design – with the case from stainless steel and the measuring system and movement from copper alloy – ensures maximum hygiene. Due to its silicone-free materials the instrument can also be used in the painting industry and its applications.

The high IP68 ingress protection and the UV-stabilised window also enable operation in outdoor areas.

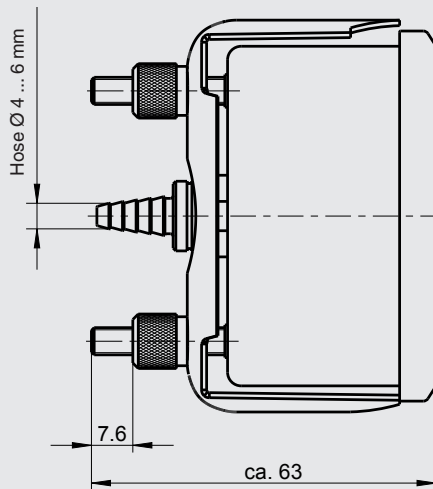
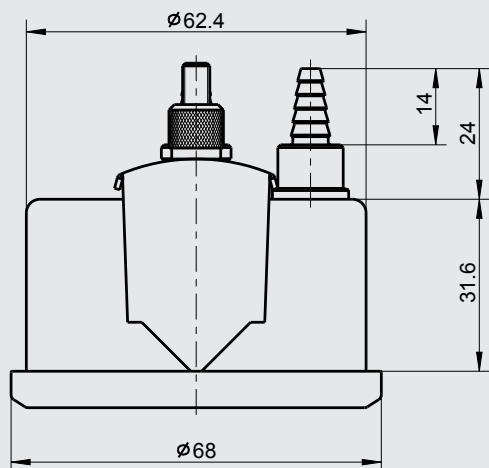
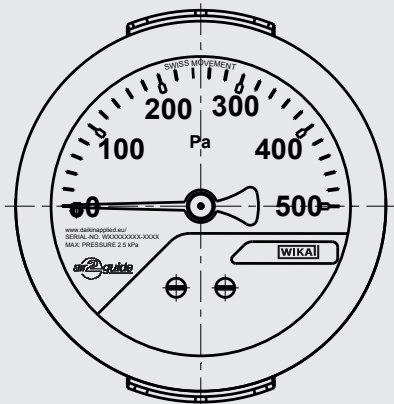
Specifications

Differential pressure measuring instrument, model A2G-mini	
Nominal size	63 mm
Measuring range	0 ... 250 Pa 0 ... 300 Pa 0 ... 500 Pa 0 ... 750 Pa 0 ... 1,000 Pa 0 ... 1,250 Pa 0 ... 1,500 Pa 0 ... 2,000 Pa 0 ... 2,500 Pa 0 ... 3,000 Pa 0 ... 4,000 Pa 0 ... 5,000 Pa 0 ... 6,000 Pa 0 ... 7,000 Pa 0 ... 8,000 Pa 0 ... 9,000 Pa 0 ... 10,000 Pa
Accuracy	±5 %
Process connection	Copper alloy Back mount, for hoses with inner diameter 4 ... 6 mm
Pressure limitation	Steady: Full scale value Fluctuating: 0.9 x full scale value
Temperature effect	When the temperature of the measuring system deviates from the reference temperature (+20 °C): max. ±0.5 %/10 K of full scale value
Dial	Aluminium Scale angle 180° (optional 270°)
Pointer	Aluminium, black
Movement, pressure element	Copper alloy
Window	Plastic, transparent
Front bezel	Triangular bezel, steel, black lacquered
Case	Stainless steel
Standard accessories	Mounting bracket
Permissible temperatures	
■ Ambient temperature	-20 ... +60 °C
■ Medium temperature	max. 60 °C
Ingress protection	IP68
Weight	200 g

Options

- Triangular bezel, stainless steel
- Triangular bezel lacquered to customer requirements

Dimensions in mm



40409102.01

Accessories

Description	Order number	
Measuring hoses		
	PVC hose, inner diameter 4 mm, roll at 25 m	40217841
	PVC hose, inner diameter 6 mm, roll at 25 m	40217850
	Silicone hose, inner diameter 4 mm, roll at 25 m	40208940
	Silicone hose, inner diameter 6 mm, roll at 25 m	40208958

Scope of delivery

- Differential pressure measuring instrument
- Mounting bracket

Ordering information

Model / Scale range / Options

© 03/2017 WIKA Alexander Wiegand SE & Co. KG, all rights reserved.
The specifications given in this document represent the state of engineering at the time of publishing.
We reserve the right to make modifications to the specifications and materials.

