

Differential pressure gauge Eco Model A2G-05

WIKA data sheet PM 07.42



Applications

- For monitoring the differential pressure of air and other non-inflammable and non-aggressive gases
- Differential pressure monitoring in filters and clean rooms

Special features

- Simple and quick mounting
- Integrated sealing element for direct installation in an air duct
- Fixed back mount process connection in angular form for pressure measurement hoses of diameter 4 ... 6 mm
- Maintenance-free
- Maximum operating pressure 20 kPa



Differential pressure gauge Eco, model A2G-05

Description

The model A2G-05 Eco differential pressure gauge is used for monitoring the differential pressure in ventilation and air-conditioning applications. The measuring ranges cover from 0 ... 50 Pa to 0 ... 12,500 Pa. Plus/minus ranges can be fulfilled from -100 ... +100 Pa to -1,500 ... +1,500 Pa.

The separated construction of the pressure measurement chamber and display area ensures that impurities from the process air do not settle on the back of the window. As a result of the 2-part construction (measuring element and mounting ring), the A2G-05 can be exceptionally easily and quickly mounted.

The differential pressure gauge is available with ingress protection IP54 and IP65.

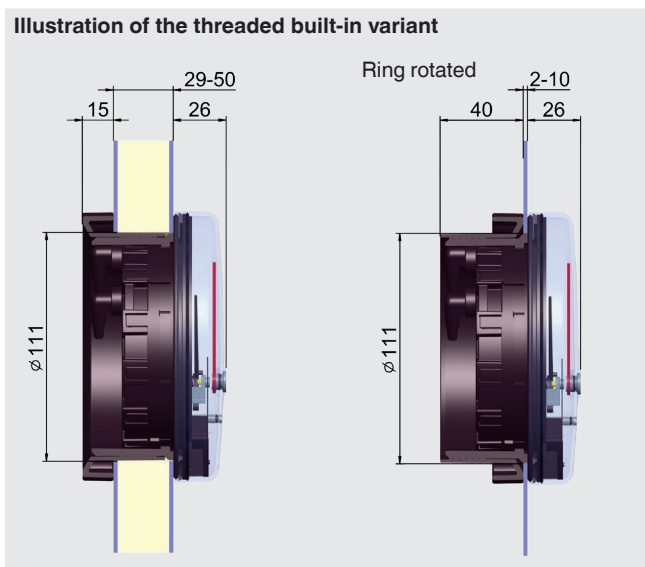
In a special version, the A2G-05 is available as a silicone-free product.

Specifications

Differential pressure gauge Eco, model A2G-05	
Nominal size	110 mm
Measuring range	0 ... 50 Pa to 0 ... 12,500 Pa, -100 ... +100 Pa to -1,500 ... +1,500 Pa other \pm ranges on request also available in the measuring units kPa, inWC, mmWC and mbar
Accuracy class	≥ 250 Pa: class 3.0 101 ... 249 Pa: class 5.0 ≤ 100 Pa: class 10.0
Process connection	Fixed connection in angular form for hoses with inner diameter 4 or 6 mm
Separating diaphragm	Silicone (EPDM with silicone-free version)
Movement	Contact-free transmission (SWISS MOVEMENT)
Dial	Aluminium
Pointer	Plastic
Window	Polycarbonate (UV stabilised)
Basic case, built-in and add-on case	Plastic, glass-fibre reinforced
Standard accessories	3 mounting screws
Permissible temperatures	
■ Ambient temperature	-30 ... +80 °C
■ Medium temperature	-16 ... +50 °C
Ingress protection	IP54
Weight	240 g

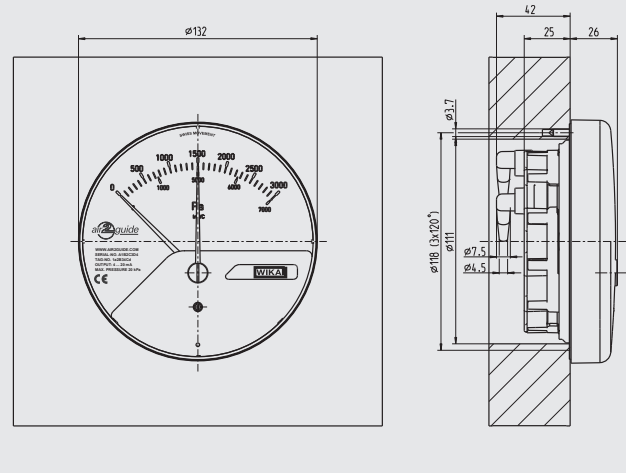
Options

- Ingress protection IP65
- Red mark pointer
- Internationally recognised traceable calibration certificate
- Threaded built-in variant



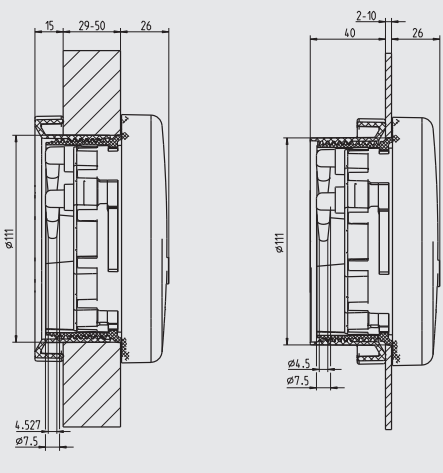
Dimensions in mm

Standard, back mount



40404848.01

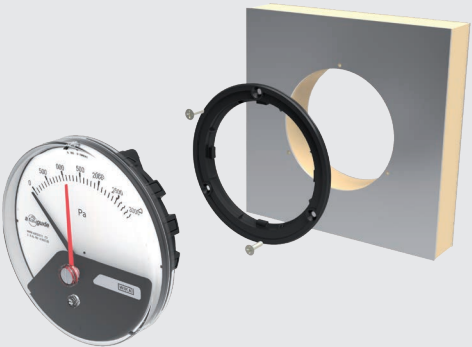
Option, back mount



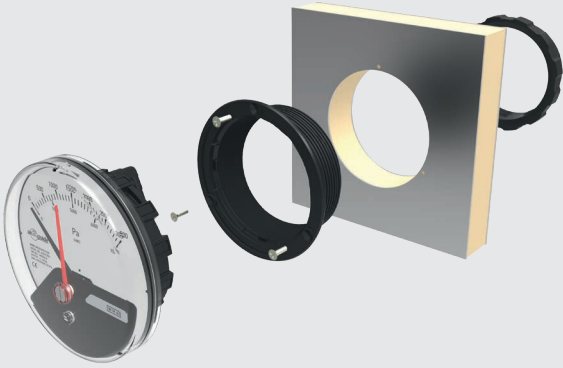
40404850.01

Built-in version



Standard






Option



Accessories

Description	Order number
Duct connector for hose 4 and 6 mm 	40217507
Weather protection 	40241564

Approvals

Logo	Description	Country
	EAC Import certificate	Eurasian Economic Community
	GOST Metrology, measurement technology	Russia
	UkrSEPRO Metrology, measurement technology	Ukraine

Certificates (option)

- 2.2 test report
- 3.1 inspection certificate

Approvals and certificates, see website

Scope of delivery

- Differential pressure gauge
- Mounting ring

Ordering information

Model / Scale range / Options

© 04/2012 WIKA Alexander Wiegand SE & Co. KG, all rights reserved.
 The specifications given in this document represent the state of engineering at the time of publishing.
 We reserve the right to make modifications to the specifications and materials.

