



Variable Area Flowmeter/monitor

glass cone with fixed or loose flange



measuring
•
monitoring
•
analysing

URK



- Measuring range:
water: 1...10 – 15 000 ... 50 000 l/h
air: 0.02 ... 0.2 – 50 ... 500 Nm³/h
- Accuracy class: 4 according to VDI
- p_{\max} : 16 bar;
 t_{\max} : 100 °C (65 °C for PVC)
- Connection: flange DIN 2526,
Form C, ANSI, DN 15 ... DN 80
- Material: cast iron,
stainless steel 1.4301, 1.4404

S2



KOBOLD companies worldwide:

ARGENTINA, AUSTRALIA, AUSTRIA, BELGIUM, BULGARIA, CANADA, CHILE, CHINA, COLOMBIA, CZECHIA, EGYPT, FRANCE, GERMANY, GREAT BRITAIN, HUNGARY, INDIA, INDONESIA, ITALY, MALAYSIA, MEXICO, NETHERLANDS, PERU, POLAND, REPUBLIC OF KOREA, ROMANIA, SINGAPORE, SPAIN, SWITZERLAND, TAIWAN, THAILAND, TUNISIA, TURKEY, USA, VIETNAM

KOBOLD Messring GmbH
Nordring 22-24
D-65719 Hofheim/Ts.
Head Office:
+49(0)6192 299-0
+49(0)6192 23398
info.de@kobold.com
www.kobold.com



Applications

- Domestic engineering
- Cooling circuits
- Plant engineering
- Water treatment
- Heating
- Machine tools
- Solar systems
- Welding machines
- Paper machines
- Glass melting pots
- Extrusion machines
- Induction furnaces

Technical Data

Installation position: vertical
 Accuracy class: 4 according to VDI
 Max. temperature: 100 °C (65 °C for PVC)
 Max. pressure: 03H... 23H 16 bar (with PN 16 flange)
 25H... 33H 12 bar (with PN 16 flange)
 35H... 41H 8 bar (with PN 16 flange)
 01L... 23L 16 bar (with PN 16 flange)
 25L... 33L 10 bar (with PN 16 flange)
 in all other cases 6 bar
 Calibration conditions: water: 20 °C, air: 20 °C, air pressure: 1.013 bar abs.

Contact (optional)

Proximity switch: PNP open collector, n. o. contact (monostable)
 Ambient temperature: -25 ... +70 °C
 Supply voltage: 12 ... 24 V_{DC}
 Current consumption: max. 10 mA
 Cable: 2 m, PVC
 Protective category: IP67

Description

The Kobold URK model flowmeter/monitor works on the basis of the suspended float principle. It is used for measuring the flow rates in closed pipe line systems.

The medium flows from below through a glass measuring cone that gets wider on top. Thus, the float is raised and indicates the respective flow rate on the scale provided on the measuring cone. To monitor flow rate limits, the URK meters can be optionally furnished with "open collector" proximity switches.

By its special design, this model is particularly suitable for applications where only very small operating pressures are available. Another advantage is offered by the very large sight glass which optically allows direct flow observation.

Materials

Material combination URK

Ordering code	Connection	Float	Seal	Centering ring	Flange (fixed or loose)*	Cover plate*	Sight glass*	Measuring tube
73	cast iron	1.4301	NBR	PVC	cast iron	stainless steel 1.4301	plexiglass	borosilicate glass
33	1.4301	1.4301	FPM	PTFE	1.4301			
55	1.4404	1.4404	FPM	PTFE				
99**	cast iron 1.4301 1.4404	1.4301 1.4404 aluminium PTFE PVC PP	NBR EPDM FPM PTFE	PVC PTFE 1.4301				

* Not wetted part
 ** Customer specification on request



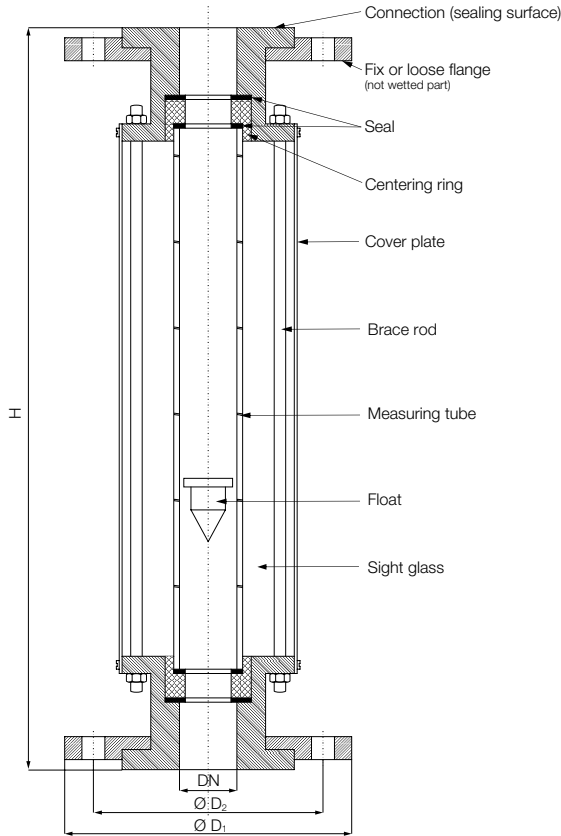
Order Details (Example: URK-73 03H F F4 0)

Model	Material combination	Measuring range		Pressure loss [mbar]	Flange			Contacts	
		water [l/h]	air [Nm ³ /h]		type	DIN 2526, form C, PN 6	DIN 2526, form C, PN 16		ANSI 150 lbs
URK-	73 33 55 99**		01L = 0.02...0.2	10	F=fixed flange L=loose flange	F4 = DN 15 F5 = DN 20	B4 = DN 15	A4 = ½" A5 = ¾"	0 = no contact P* = 1 PNP normally open R* = 2 PNP normally open
		03H = 1...10	03L = 0.032...0.32	10					
		05H = 1.6...16	05L = 0.05...0.5	10					
		07H = 2.5...25	07L = 0.08...0.8	12					
		09H = 4.0...40	09L = 0.13...1.3	9					
		11H = 6.3...63	11L = 0.2...2.0	17					
		13H = 10...100	13L = 0.32...3.2	24					
		15H = 16...160	15L = 0.5...5	28					
		17H = 25...250	17L = 0.8...8	28					
		19H = 40...400	19L = 1.3...13	36					
		21H = 63...630	21L = 2.0...20	34					
		23H = 100...1000	23L = 3.2...32	43					
		25H = 160...1600	25L = 5...50	48					
		27H = 250...2500	27L = 8...80	48					
		29H = 400...4000	29L = 13...130	51					
		31H = 630...6300	31L = 20...200	57					
		33H = 1000...10000	33L = 25...250	70					
		35H = 1600...16000	35L = 32...320	93					
		37H = 2500...25000	37L = 40...400	102		F7 = DN 32	B7 = DN 32	A8 = 1½"	
		39H = 10000...40000	39L = 50...500	95					
41H = 15000...50000		102							
YYY = others			on request						

* Monostable switch. Other switching functions on request

** Customer specification on request

Dimensions



DN	DIN								ANSI				
	Model	PN6			PN16				Size	Class 150 RF			
		D ₁ [mm]	D ₂ [mm]	H [mm]	Model	D ₁ [mm]	D ₂ [mm]	H [mm]		Model	D ₁ [mm]	D ₂ [mm]	H [mm]
15	URK-..F4	80	55	380	URK-..B4	95	65	380	½"	URK-..A4	88,9	60,5	380
20	URK-..F5	90	65		URK-..B5	105	75	390	¾"	URK-..A5	98,6	69,9	
25	URK-..F6	100	75	390	URK-..B6	115	85		400	1"	URK-..A6	108,0	79,2
32	URK-..F7	120	90	400	URK-..B7	140	100	400		1¼"	URK-..A7	117,3	88,9
40	URK-..F8	130	100	410	URK-..B8	150	110	410	1½"	URK-..A8	127,0	98,6	400
50	URK-..F9	140	110		URK-..B9	165	125		410	2"	URK-..A9	152,0	120,7
65	URK-..FA	160	130	550	URK-..BA	185	145	550	2½"	URK-..AA	177,8	139,7	550
80	URK-..FB	190	150	560	URK-..BB	200	160	560	3"	URK-..AB	190,5	152,4	