

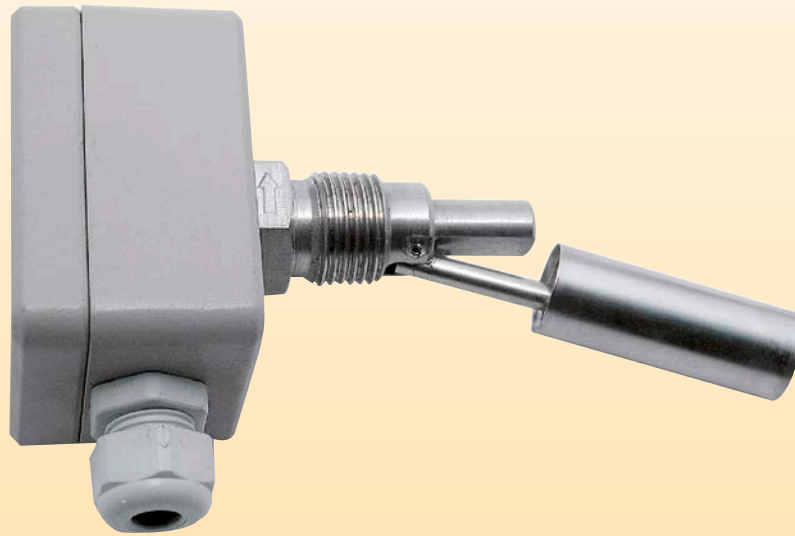


Level Switch



measuring
•
monitoring
•
analysing

RFS-1201N4



- For lateral mounting
- Electr. connection:
aluminium housing connection
- Stainless steel 1.4301
- Can be mounted as
N/C or N/O contact



N4

KOBOLD companies worldwide:

AUSTRALIA, AUSTRIA, BELGIUM, BULGARIA, CANADA, CHINA, CZECHIA, EGYPT, FRANCE, GERMANY, GREAT BRITAIN, HUNGARY, INDIA, INDONESIA, ITALY, MALAYSIA, MEXICO, NETHERLANDS, PERU, POLAND, REPUBLIC OF KOREA, ROMANIA, RUSSIA, SPAIN, SWITZERLAND, THAILAND, TUNISIA, TURKEY, USA, VIETNAM

KOBOLD Messring GmbH
Nordring 22-24
D-65719 Hofheim/Ts.
☎ Head Office:
+49(0)6192 299-0
☎ +49(0)6192 23398
info.de@kobold.com
www.kobold.com

Description

The KOBOLD level switches RFS are designed for monitoring filling levels of liquids cost-effectively. The liquid must not contain solids nor metallic particles.

A pivoted stainless steel float with an inserted solenoid moves up and down together with the filling level of the liquid. The solenoid switches a reed contact.

Depending on the mounting position of the device, the contact works as N/O or N/C contact with rising filling level. The devices are delivered for direct lateral mounting in commercially available sleeves.

The following version is available:

RFS-1201 N4: Standard version with housing connection (aluminium)

Technical Details

Medium temperature: -40 °C ... +120 °C

Ambient temperature: -20 °C ... +80 °C

Operating pressure: max. 5 bar

Installation position: horizontal

Materials

Housing/plug: aluminium (RFS-1201 N4)

Float: stainless steel 1.4301

Connection: stainless steel 1.4301

Process connection: 1/2" NPT

Electr. connection: terminals in the aluminium connection (RFS-1201)

Contacts: N/O or N/C contact, depending on the mounting position of the device

Switching voltage: max. 240 V_{AC}/300 V_{DC}

Switching current: max. 0.5 A

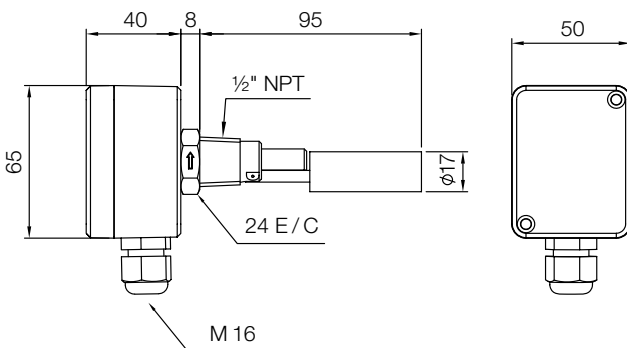
Switching capacity: max. 15 VA

Medium density: >0.7 g/cm³

Protection: IP65

Dimensions [mm]

RFS-1201 N4



Order Details

Model	Description
RFS-1201 N4	Standard version with housing connection (aluminium)