

LMK 351

Screw-in Transmitter

Ceramic Sensor

accuracy according to EN IEC 62828-2:
standard: 0.35% span
option: 0.25% span



Nominal pressure

from 0 ... 40 mbar up to 0 ... 20 bar

Output signal

2-wire: 4 ... 20 mA

3-wire: 0 ... 20 mA / 0 ... 10 V

others on request

Product characteristics

- ▶ pressure port PVDF or PP-HT version for aggressive media
- ▶ pressure port G 1 1/2" for pasty and polluted media



Optional versions

- ▶ IS-version
Ex ia = intrinsically safe for gases and dusts
- ▶ diaphragm 99.9 % Al₂O₃
- ▶ customer specific versions



The screw-in transmitter LMK 351 has been designed for measuring small system pressure and level measurement in container. The LMK 351 is based on an own-developed capacitive ceramic sensor element. Usage in viscous and pasty media is possible because of the flush mounted sensor.

For the usage in aggressive media a pressure port in PVDF or PP-HT and the diaphragm in Al₂O₃ 99.9 % is available. An intrinsically safe version complete the range of possibilities.

Preferred areas of use are

-  Plant and Machine Engineering
-  Environmental Engineering
(water – sewage – recycling)

Preferred used for

-  Fuel and Oil
-  Viscous and Pasty Media



Pressure ranges																
Nominal pressure	[bar]	0.04	0.06	0.1	0.16	0.25	0.4	0.6	1	1.6	2.5	4	6	10	16	20
Level	[mH ₂ O]	0.4	0.6	1	1.6	2.5	4	6	10	16	25	40	60	100	160	200
Overpressure	[bar]	2	2	4	4	6	6	8	8	15	25	25	35	35	45	45
Low pressure	[bar]	-0.2		-0.3		-0.5							-1			

Output signal / Supply	
Standard	2-wire: 4 ... 20 mA / V _S = 9 ... 32 V _{DC}
Option Ex-version	2-wire: 4 ... 20 mA / V _S = 14 ... 28 V _{DC}
Option 3-wire	3-wire: 0 ... 10 V / V _S = 12.5 ... 32 V _{DC}

Performance	
Accuracy ¹	standard: ≤ ± 0.35 % span option: ≤ ± 0.25 % span
Permissible load	current 2-wire: R _{max} = [(V _S - V _{S min}) / 0.02 A] Ω voltage 3-wire: R _{min} = 10 kΩ
Influence effects	supply: 0.05 % span / 10 V load: 0.05 % span / kΩ
Long term stability	≤ ± 0.1 % span / year
Turn-on time	700 msec
Mean measuring time	5/sec
Response time	mean response time: ≤ 200 msec max. response time: 380 msec

¹ accuracy according to EN IEC 62828-2-limit point adjustment (non-linearity, hysteresis, repeatability)

Thermal effects (Offset and Span) / -Permissible temperatures			
Tolerance band	≤ ± 0.1 % span / 10 K	in compensated range - 20 ... 80 °C	
Permissible temperatures ²	medium: -40 ... 125 °C	electronics / environment: -40 ... 85 °C	storage: -40 ... 100 °C

² for pressure port of PVDF the permissible temperature is -30...60 °C

Electrical protection	
Short-circuit protection	permanent
Reverse polarity protection	no damage, but also no function
Electromagnetic compatibility	emission and immunity according to EN 61326

Mechanical stability	
Vibration	10 g RMS (20 ... 2000 Hz) according to DIN EN 60068-2-6
Shock	100 g / 1 msec according to DIN EN 60068-2-27

Materials (media wetted)			
Pressure port	standard: stainless steel 1.4404 (316L)	option: PVDF	option: PP-HT
Housing	standard: stainless steel 1.4404 (316L)	option: PVDF	option: PP-HT
Option field housing	Stainless steel 1.4301 (304)		
Seals	FKM -40 ... 125 °C		
	FFKM -15 ... 125 °C		
	EPDM -40 ... 125 °C		
Diaphragm	standard: ceramics Al ₂ O ₃ 96 %		
	options: ceramics Al ₂ O ₃ 99.9 %		
Media wetted parts	pressure port, seals, diaphragm		

IS-protection (only for 4 ... 20 mA / 2-wire)			
Approval DX4-LMK 351	IBExU05ATEX1069 X stainless steel-pressure port with male (connector): zone 0: II 1 G Ex ia IIC T4 Ga zone 20: II 1 D Ex iaD T 110 °C Da stainless steel-pressure port with cable: zone 0: II 1 G Ex ia IIB T4 Ga zone 20: II 1 D Ex iaD T 110 °C Da plastic-pressure port with male (connector): zone 0/1 ³ : II 1/2 G Ex ia IIC T4 Ga/Gb zone 20/21 ³ : II 1 D Ex iaD T 110 °C Da/Db plastic-pressure port with cable: zone 0/1 ³ : II 1/2 G Ex ia IIB T4 Ga/Gb zone 20/21 ³ : II 1 D Ex iaD T 110 °C Da/Db		
Safety technical maximum values	U _i = 28 V, I _i = 93 mA, P _i = 660 mW, C _i = 14 nF, L _i = negligible		
Max. permissible temperature for environment	in zone 0: -20 ... 60 °C for p _{atm} 0.8 bar up to 1.1 bar zone 1 and higher: -25 ... 70 °C		
Connecting cables (by factory)	capacity: signal line / shield also signal line / signal line: 220 pF/m inductance: signal line / shield also signal line / signal line: 1.5 μH/m		

³ The designation depends on the used pressure range. With nominal pressure ranges ≤ 60 mbar the designation is „2G“. With nominal pressure ranges > 60 mbar and < 10 bar (see item 17 of the type-examination certificate) must be attended!

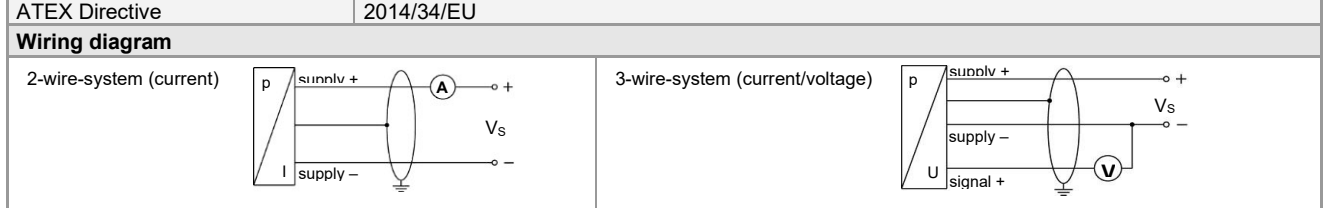
Miscellaneous			
Current consumption	signal output current: max. 21 mA	signal output voltage: max. 5 mA	
Weight	approx. 200 g		
Installation position	any		
Operational life	> 100 x 10 ⁶ loading cycles		
CE-conformity	EMV-directive: 2014/30/EU		

LMK 351

Screw-in Transmitter

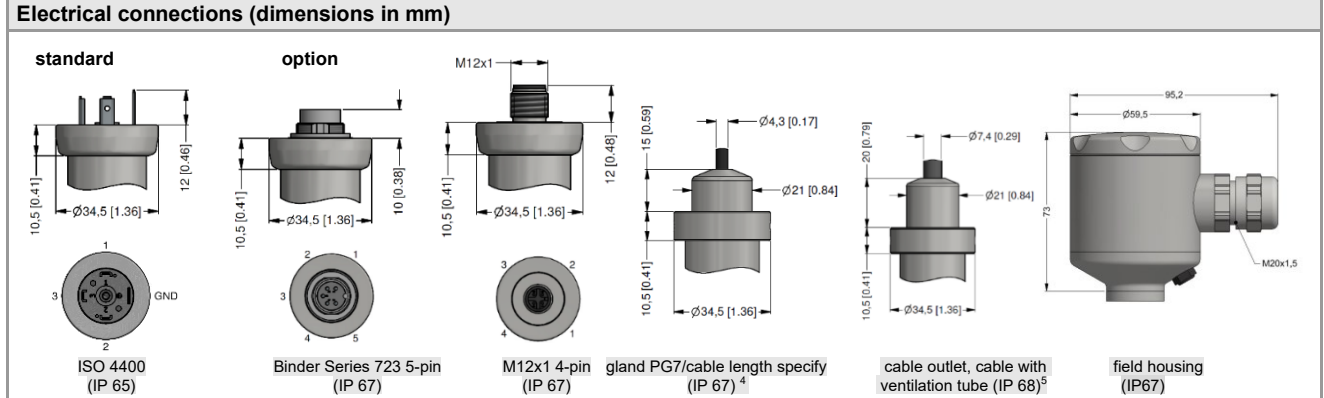
Technical Data

Option oxygen application	for $P_N \leq 15$ bar: O-ring in 70 EPDM 281 (with BAM-approval); permissible maximum values are 15 bar / 60° C and 10 bar / 90° C for $P_N \leq 25$ bar: O-ring in FKM Vi 567 (with BAM-approval); permissible maximum values are 25 bar / 150° C
ATEX Directive	2014/34/EU

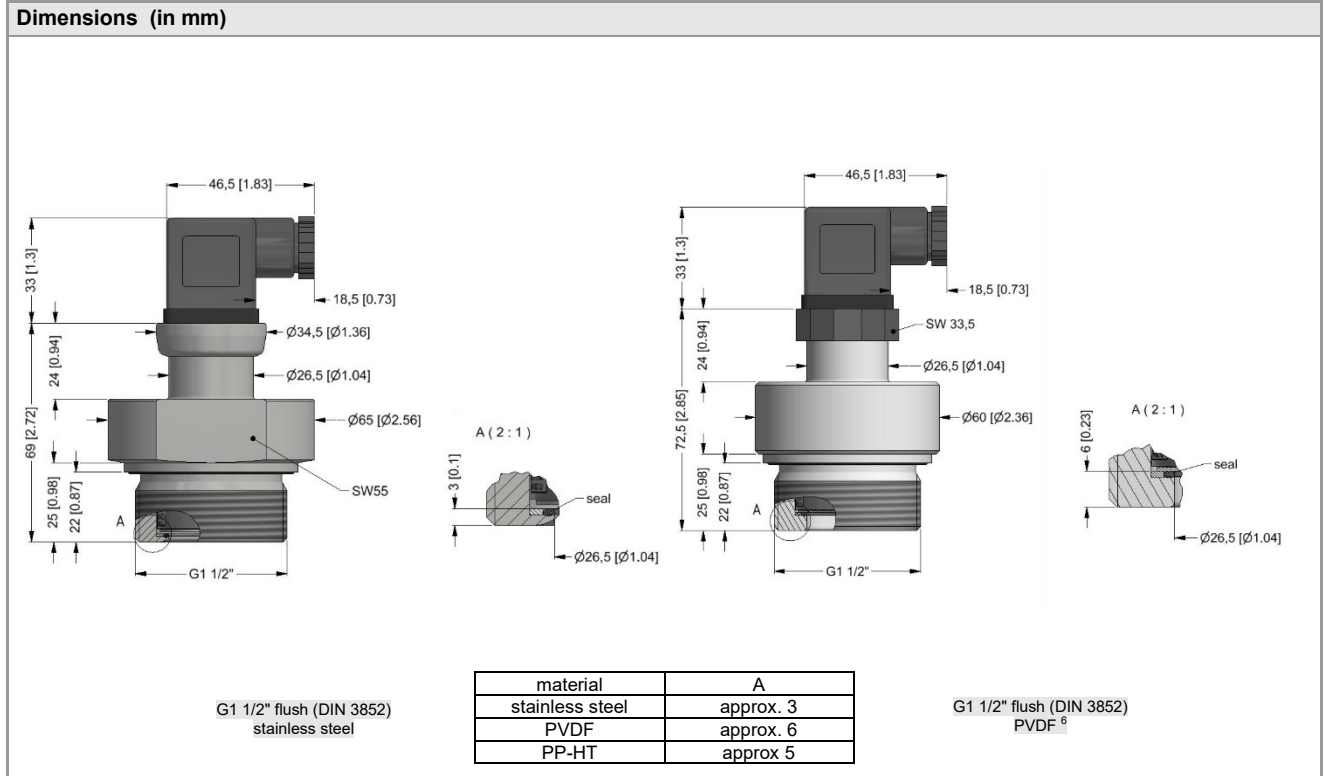


Pin configuration

Electrical connection	ISO 4400	Binder 723 (5-pin)	M12x1 (4-pin)	field housing	cable colours (IEC 60757)
Supply +	1	3	1	IN +	wh (white)
Supply -	2	4	2	IN -	bn (brown)
Signal + (only for 3-wire)	3	1	3	OUT +	gn (green)
Shield	ground pin	5	4		gn/ye (green/yellow)



⁴ standard: 2m PVC cable without ventilation tube (permissible temperature: -5 ... 70 °C)
⁵ different cable types and lengths available, permissible temperature depends on kind of cable



⁶ not possible in combination with field housing

This data sheet contains product specification. properties are not guaranteed. Subject to change without notice.

0,-...without additional charge

On request...in accordance with the producer

Surcharges for calibration are not subject to any discounts. Subject to change.

This document contains the specification for ordering the product;

detailed technical parameters of the product and its possible variants are given in the data sheet.

BD SENSORS reserves the right to change sensor specifications without further notice.

1 code TR0 = PVC cable, cable with ventilation tube available in different types and lengths; cable not included in the price

2 full-plastic only with electrical connection code 100, E00 and M00; permissible medium temperature: -30 ... 60 °C

3 maximum length of PVC cable – 25 m, PUR, FEP, TPE – 40 m



BD SENSORS s.r.o.
Hradištská 817
CZ – 687 08 Buchlovice

Tel.: +420 572 411 011
Fax: +420 572 411 497

www.bdsensors.cz
info@bdsensors.cz

The company BD SENSORS s.r.o. is certified by TÜV SÜD Czech according to the standard ISO 9001.

