

# Absolute pressure switch Stainless steel switch enclosure Models APW, APW10

WIKA data sheet PV 35.49



## Process Performance Series

### Applications

- Absolute pressure monitoring and control of processes
- Safety-critical applications in general process instrumentation, especially in the chemical and petrochemical industries, oil and gas industries, power generation incl. nuclear power plants, water/wastewater industries, mining
- For gaseous, liquid and aggressive media, also in aggressive ambience

### Special features

- No power supply needed for switching of electrical loads
- Robust switch enclosure from stainless steel 316L, IP66, NEMA 4X
- Setting ranges from 0 ... 25 mbar abs. to 0 ... 1.5 bar abs.
- Intrinsic safety Ex ia available
- 1 or 2 independent set points, SPDT or DPDT, high switching power up to AC 250 V, 20 A



**Fig. left: For medium/high setting ranges, model APW  
Fig. right: For low setting ranges, model APW10**

## Description

These high-quality absolute pressure switches have been developed especially for safety-critical applications. The high quality of the products and manufacturing in accordance with ISO 9001 ensure reliable monitoring of your plant. In production, the switches are traced by quality assurance software at every step and subsequently are 100 % tested.

In order to ensure as flexible operation as possible, the absolute pressure switches are fitted with micro switches, which enable the switching of an electrical load of up to AC 250 V, 20 A directly.

For lower switching power ratings, such as for PLC applications, argon gas-filled micro switches with gold-plated contacts can be selected as an option. All wetted materials are from stainless steel as a standard.

By using a diaphragm measuring system, the model APW absolute pressure switch is extremely robust and guarantees optimal operating characteristics and the highest measuring performances, with repeatability lower than 1 % of span.

## Standard version

### Measuring system

Single diaphragm with transmission shaft, without sealing elements

### Switch enclosure

Stainless steel 316L, tamper-proof. Laser-engraved product label from stainless steel.

### Ingress protection

IP66 per EN/IEC 60529, NEMA 4X

### Permissible temperature

Ambient  $T_{amb}$ : -30 ... +85 °C  
 Medium  $T_M$ : -30 ... +85 °C

### Switch contact

Micro switches with fixed dead band

- 1 x or 2 x SPDT (single pole double throw)
- 1 x DPDT (double pole double throw)

Micro switches with adjustable dead band

- 1 x SPDT (single pole double throw)

The DPDT function is realised with 2 simultaneously triggering SPDT micro switches within 0.5 % of the span.

Contact version		Electrical rating (resistive load)		Suitable for Ex ia option
		AC	DC	
UN	1 x SPDT, silver	250 V, 15 A	24 V, 2 A, 125 V, 0.5 A, 220 V, 0.25 A	No
US	1 x SPDT, silver, hermetically sealed, argon gas filling <sup>2)</sup>	250 V, 15 A	24 V, 2 A, 220 V, 0.5 A	Yes
UO	1 x SPDT, gold-plated, hermetically sealed, argon gas filling <sup>2)</sup>	125 V, 1 A	24 V, 0.5 A	Yes
UG	1 x SPDT, gold-plated	125 V, 1 A	24 V, 0.5 A	No
UR	1 x SPDT, silver, adjustable dead band	250 V, 20 A	24 V, 2 A, 220 V, 0.5 A	Yes <sup>3)</sup>
DN	2 x SPDT or 1 x DPDT, silver	250 V, 15 A	24 V, 2 A, 125 V, 0.5 A, 220 V, 0.25 A	No
DS	2 x SPDT or 1 x DPDT, silver, hermetically sealed, argon gas filling <sup>2)</sup>	250 V, 15 A	24 V, 2 A, 220 V, 0.5 A	Yes
DO	2 x SPDT or 1 x DPDT, gold-plated, hermetically sealed, argon gas filling <sup>2)</sup>	125 V, 1 A	24 V, 0.5 A	Yes
DG	2 x SPDT or 1 x DPDT, gold-plated	125 V, 1 A	24 V, 0.5 A	No

<sup>2)</sup> Permissible ambient temperature range: -30 ... +70 °C

<sup>3)</sup> WIKA recommends argon gas-filled contact versions, use of adjustable dead band allowed.

### Set point adjustment

The set point can be specified by the customer or factory-set within the setting range. Subsequent adjustment of the set point on site is made using the adjustment screw, which is fastened to the switch and thus secured against loss.

### Repeatability of the set point

≤ 1 % of span

### Distance between set points

For versions with 2 x SPDT the distance between the set points must be > 5 % of the respective span.

### Ignition protection type (option)

- Ex ia I Ma (mines)
- Ex ia IIC T6/T4 <sup>1)</sup> Ga (gas)
- Ex ia IIIC T85/T135 <sup>1)</sup> Da (dust)

<sup>1)</sup> The temperature class is related to the ambient temperature range. See the type examination certificate for further details.

### Safety-related maximum values

(only for optional Ex ia versions)

Maximum values	
Voltage $U_i$	DC 30 V
Current $I_i$	100 mA
Power $P_i$	0.75 W
Internal capacitance $C_i$	0 μF
Internal inductance $L_i$	0 mH

### Please specify:

Set point, switching direction for each contact, e.g.:

Set point 1: 100 mbar abs., falling,

set point 2: 150 mbar abs., rising.

With two micro switches, the set points can be set independently of each other.

For optimal performance we suggest to adjust the set point between 25 ... 75 % of the span.

### Example

Setting range: 0 ... 1 bar abs. with one switch contact  
 Repeatability: 1 % of 1 bar abs. = 0.01 bar abs.  
 Dead band: (see table setting ranges)  
 2 x repeatability + dead band =  
 2 x 0.01 bar abs. + 0.04 bar abs. = 0.06 bar abs.  
 Rising pressure: Adjust set point between 0.06 ... 1 bar abs.  
 Falling pressure: Adjust set point between 0 ... 0.94 bar abs.

### Process connection

Stainless steel, lower mount (LM)  
 ■ ¼ NPT female (standard)  
 ■ ½ NPT, G ½ A, G ¼ A male via adapter  
 ■ ½ NPT, G ¼ female via adapter  
 ■ M20 x 1.5 male via adapter

### Mounting

■ Mounting fixture from stainless steel (AISI 304)  
 ■ Option: Mounting bracket for 2" pipe mounting (AISI 304)

### Weight

■ Model APW: approx. 5.5 kg  
 ■ Model APW10: approx. 8.2 kg

### Electrical connection

■ ½ NPT female (standard)  
 ■ ¾ NPT, M20 x 1.5, G ½, G ¾ female  
 ■ Cable gland non-armoured, nickel-plated brass  
 ■ Cable gland non-armoured, stainless steel (AISI 304)  
 ■ Cable gland armoured, nickel-plated brass  
 ■ Cable gland armoured, stainless steel (AISI 304)  
 ■ MIL connector, 7-pin, DTL 5015

For cable connections to the internal terminal block use wire cross-sections between 0.5 ... 2.5 mm<sup>2</sup>.

For the grounding cable connection to the protective conductor use max. 2.5 mm<sup>2</sup> for the internal screw and max. 4 mm<sup>2</sup> for the external screw.

### Dielectric strength

Safety class I (IEC 61298-2: 2008)

### Wetted parts

Diaphragm: AISI 316  
 Process connection: AISI 304  
 Sealing material: NBR

### Setting range, model APW

Measuring cell	Setting range	Working range	Proof pressure	Fixed dead band for contact version		Adjustable dead band for contact version
	in bar abs.			in bar abs.	in bar abs.	1 contact UN, US, UO, UG in mbar abs.
L	0 ... 0.16	0 ... 1.5	11	≤ 5	≤ 5	20 ... 60
	0 ... 0.25			≤ 8	≤ 8	30 ... 90
H	0 ... 0.4			≤ 20	≤ 20	30 ... 90
	0 ... 0.6			≤ 25	≤ 25	40 ... 125
	0 ... 1			≤ 30	≤ 30	100 ... 270
	0 ... 1.5			≤ 65	≤ 65	110 ... 320

### Setting range, model APW10

Measuring cell	Setting range	Working range	Proof pressure	Fixed dead band for contact version		Adjustable dead band for contact version
	in mbar abs.			in bar abs.	in bar abs.	1 contact UN, US, UO, UG in mbar abs.
10	0 ... 25	0 ... 1	2	≤ 1.2	≤ 1.6	3 ... 8
	0 ... 40			≤ 1.6	≤ 2.2	4 ... 11
	0 ... 60			≤ 2.0	≤ 2.5	5 ... 14

### Assembly





■ Shut-off valve model 910.11, see data sheet AC 09.02  
 ■ Barstock valve model 910.81, see data sheet AC 09.18

### Options

■ Cleaned for oxygen service  
 ■ Offshore version <sup>1)</sup>

<sup>1)</sup> WIKA recommends argon gas-filled contact versions, use of adjustable dead band allowed.


## Approvals

Logo	Description	Country
	<b>EU declaration of conformity</b> <ul style="list-style-type: none"> <li>■ Low voltage directive, EN 60730-1</li> <li>■ ATEX <sup>1)</sup> directive (option); annex III, IV I M 1 II 1 GD</li> </ul>	European Community
	<b>IECEx</b> <sup>1)</sup> per IEC 60079-0, IEC 60079-11, IEC 60079-26 (option) <ul style="list-style-type: none"> <li>Ex ia I Ma</li> <li>Ex ia IIC T6/T4 <sup>2)</sup> Ga</li> <li>Ex ia IIIC T85/T135 <sup>2)</sup> Da</li> </ul>	IECEx member states
	<b>EAC (option)</b> Hazardous areas (option)	Eurasian Economic Community
	<b>KOSHA (option)</b> Hazardous areas	South Korea

1) Double marking ATEX and IECEx on the same product label.

2) The temperature class is related to the ambient temperature range.

## Manufacturer's information and certificates

Logo	Description
	<b>SIL 2 rating (option)</b> , per IEC 61508 Functional safety The electrical rating for DC applications is limited to 30 V / 100 mA. Only available with contact version US or UO

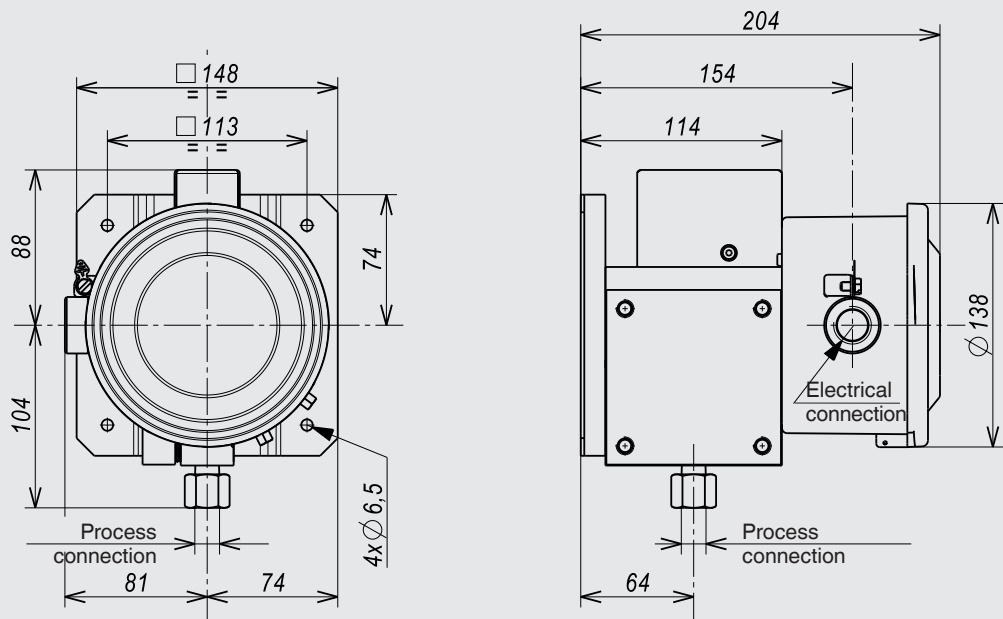
## Certificates (option)

- 2.2 test report per EN 10204
- 3.1 inspection certificate per EN 10204

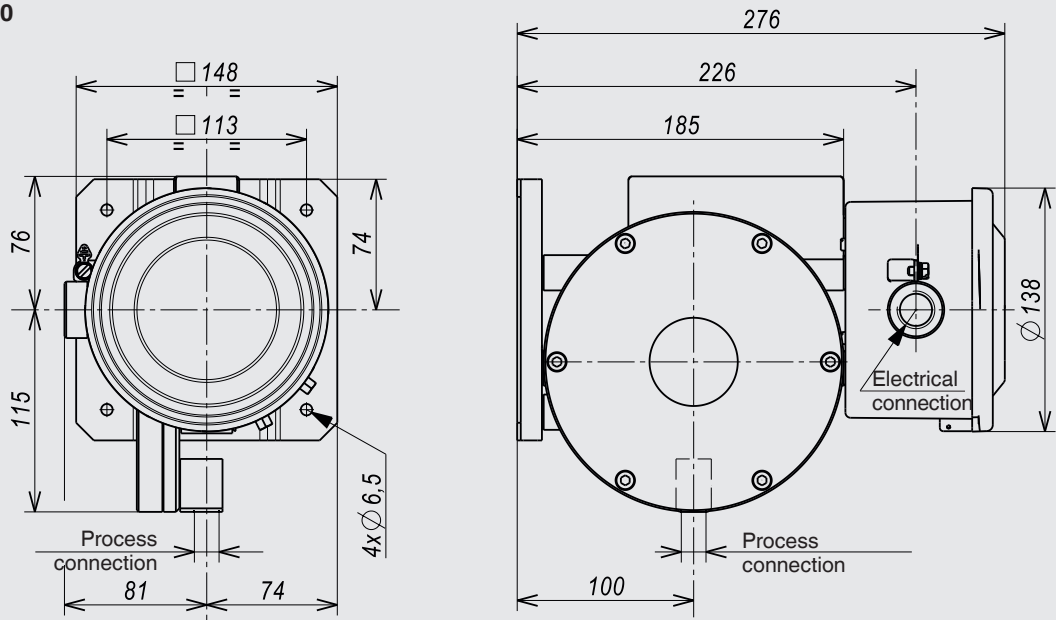
Approvals and certificates, see website

## Dimensions in mm

Model APW



Model APW10



## Ordering information

Model / Measuring cell / Contact version / Setting range / Process connection / Electrical connection / Options

© 01/2011 WIKA Alexander Wiegand SE & Co. KG, all rights reserved.  
The specifications given in this document represent the state of engineering at the time of publishing.  
We reserve the right to make modifications to the specifications and materials.

