

overview

- 20 ... 1000 mm
- current output
- qTeach, line-Teach
- connector M12 5 pin
- -25 ... 65 °C
- IP 67



Technical data

general data

scanning range Sd	20 ... 1000 mm
scanning range close limit Sdc	20 ... 1000 mm
scanning range far limit Sde	20 ... 1000 mm
repeat accuracy	< 0,5 mm
resolution	< 0,3 mm
response time ton	< 40 ms
release time toff	< 40 ms
temperature drift	< 2 % of distance to target So
power-up drift	compensated after 15 min.
sonic frequency	200 kHz
adjustment	qTeach, line-Teach
alignment aid	light indicator flashing
light indicator	LED yellow
power on indication	LED green
alignment measuring axis	< 2°

electrical data

voltage supply range +Vs	12 ... 30 VDC
--------------------------	---------------

electrical data

current consumption typ.	35 mA
output circuit	current output
output signal	4 ... 20 mA / 20 ... 4 mA
residual ripple	< 10 % Vs
short circuit protection	yes
reverse polarity protection	yes, Vs to GND

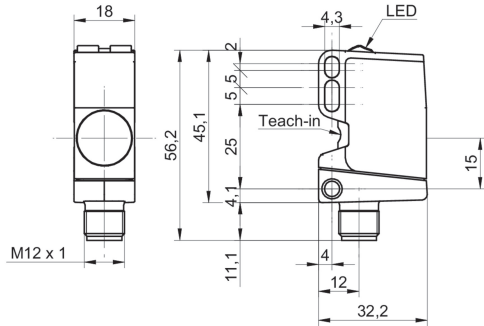
mechanical data

type	rectangular
housing material	plastic (ASA, PMMA)
coating active face	PEEK
width / diameter	18 mm
height / length	45 mm
depth	32 mm
connection types	connector M12 5 pin

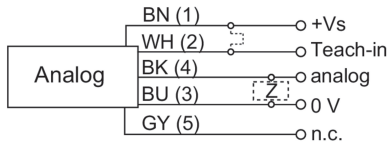
ambient conditions

operating temperature	-25 ... +65 °C
storage temperature	-40 ... +75 °C
protection class	IP 67

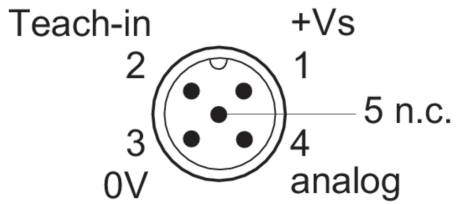
dimension drawing



connection diagram



pin assignment



typical sonic cone profile

