

U500.PA0.2-GP2J.72F

Ultrasonic 2 point proximity switch

Article number: 11200633

overview

- 20 ... 1000 mm
- push-pull
- qTeach, line-Teach, IO-Link
- connector M12 5 pin
- -25 ... 65 °C
- IP 67



Technical data

general data

special type	2 point proximity switch
scanning range Sd	20 ... 1000 mm
scanning range far limit Sde	20 ... 1000 mm
version	IO-Link dual channel
hysteresis typ.	4 % Sde
repeat accuracy	< 0,5 mm
temperature drift	< 2 % Sde
power-up drift	compensated after 15 min.
response time ton	< 40 ms
release time toff	< 40 ms
sonic frequency	200 kHz
adjustment	qTeach, line-Teach, IO-Link
output indicator	yellow LED / red LED
power on indication	LED green
alignment measuring axis	< 2°

electrical data

voltage supply range +Vs	12 ... 30 VDC
current consumption typ.	35 mA
output circuit	push-pull
output current	< 100 mA
voltage drop Vd	< 3,5 VDC
residual ripple	< 10 % Vs
short circuit protection	yes
reverse polarity protection	yes

communications interface

interface	IO-Link V1.1
-----------	--------------

communications interface

baud rate	38,4 kBaud (COM 2)
cycle time	≥ 12 ms
process data length	32 Bit
process data structure	Bit 0 = SSC1 (distance) Bit 1 = SSC2 (distance) Bit 2 = quality Bit 3 = alarm Bit 5 = SSC4 (counter) Bit 8-15 = scale factor Bit 16-47 = 32 Bit measurement

IO-Link port type

Class A

additional data

distance
excess gain
operating cycles
operating hours
boot cycles
operating voltage
device temperature
histograms

adjustable parameters

time filters
LED status indicators
output logic
output circuit
counter
beam forming
function of pin 5
deactivate the sensor element
Find Me function

mechanical data

type	rectangular
------	-------------

U500.PA0.2-GP2J.72F

Ultrasonic 2 point proximity switch

Article number: 11200633

Technical data

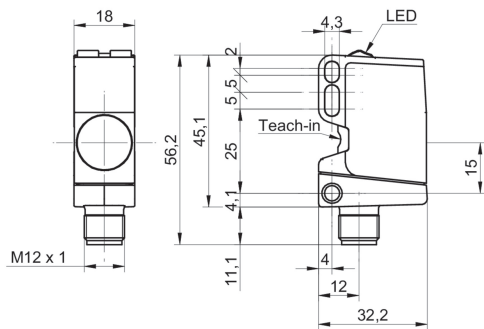
mechanical data

housing material	plastic (ASA, PMMA)
coating active face	PEEK
width / diameter	18 mm
height / length	45 mm
depth	32 mm
connection types	connector M12 5 pin

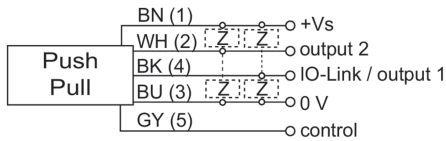
ambient conditions

operating temperature	-25 ... +65 °C
storage temperature	-40 ... +75 °C
protection class	IP 67

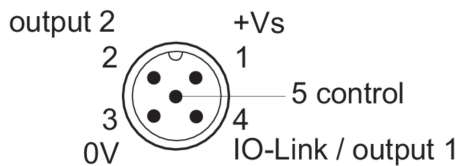
dimension drawing



connection diagram



pin assignment



typical sonic cone profile

