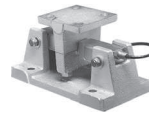


# Welded, Stainless Steel Double-Ended Shear Beam Load Cell

## FEATURES

- Rated capacities of 1000 to 100,000 pounds
- Stainless steel, welded seal construction
- Insensitive to side loads and bending moments
- High output – well suited to high deadload/low liveload applications
- Load cells have matched outputs for multi-cell systems
- Integral conduit adaptor
- *Sensorgage*™ sealed to IP67 standards
- Factory Mutual System Approved for Classes I, II, III; Divisions 1 and 2; Groups A through G. Also, non-incendive ratings (No barriers!)
- **Optional**
  - Fully hermetically sealed version available



65016-TWA



65086



## APPLICATIONS

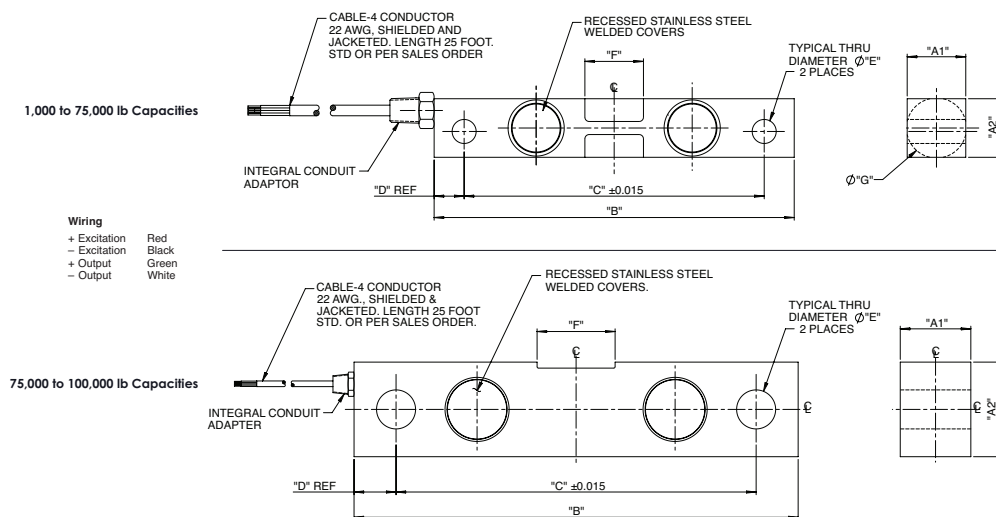
- Hostile environments:
  - Food and beverage processing
  - Chemical and plastics processing
  - Pharmaceutical and biomedical processing
- Tank, bin, and silo weighing
- Batching, blending and mixing systems
- Level and inventory monitoring

## DESCRIPTION

The Model 65016-W is designed to be center-mounted with double-linked loading. This design provides free movement in all horizontal directions, virtually eliminating binding or friction points. The double Shear Beam design gives an excellent performance for high capacity loading.

The Stainless steel construction and IP67 rating make this load cell ideal for any environmental installation.

## OUTLINE DIMENSIONS in inches



**Wiring**  
 + Excitation Red  
 - Excitation Black  
 + Output Green  
 - Output White

CAPACITY	A1	A2	B	C	D	E	F	G	THREAD	LOADING SURFACE
1k-5k	1.22	1.22	7.50	6.25	0.62	0.50	1.12	1.25	1/4-18NPT	Round
10k-25k	1.44	1.94	8.75	7.50	0.62	0.81	1.62	1.99	1/4-18NPT	Round
35k	1.44	2.44	8.75	7.50	0.62	0.81	1.62	2.50	1/4-18NPT	Round
50k-60k and 75k*	2.44	2.94	13.50	11.50	1.00	1.31	3.75	2.99	1/2-14NPT	Round
75k*-80k	2.44	2.94	13.50	11.50	1.00	1.31	3.25	-	1/2-14NPT	Square
100k	2.94	3.94	18.50	15.00	1.75	1.63	3.25	-	1/2-14NPT	Square

Capacities are in pounds.

\* Only 75k capacity is possible in either round or square loading surface.

Welded, Stainless Steel Double-Ended Shear Beam Load Cell

<b>SPECIFICATIONS</b>		
<b>PARAMETER</b>	<b>VALUE</b>	<b>UNIT</b>
<b>Rated capacity—R.C. (E<sub>max</sub>)</b>	1k, 1.5k, 2.5k, 5k, 10k, 15k, 25k, 35k, 50k, 60k, 75k, 80k, 100k	lbs
<b>NTEP/OIML accuracy class</b>	Standard	
<b>Maximum no. of intervals (n)</b>	—	
<b>Rated output—R.O.</b>	3.0	mV/V
<b>Rated output tolerance</b>	0.25	±% mV/V
<b>Zero balance</b>	1.0	±% FSO
<b>Non-linearity</b>	0.07%	±% FSO
<b>Hysteresis</b>	0.07%	±% FSO
<b>Non-repeatability</b>	0.01	±% FSO
<b>Creep error (20 minutes)</b>	0.03	±% FSO
<b>Temperature effect on zero</b>	0.0015	±% FSO/°F
<b>Temperature effect on output</b>	0.0008	±% of load/°F
<b>Compensated temperature range</b>	14 to 104 (–10 to 40)	°F (°C)
<b>Operating temperature range</b>	0 to 150 (–18 to 65)	°F (°C)
<b>Storage temperature range</b>	–60 to 185 (–50 to 85)	°F (°C)
<b>Sideload rejection ratio</b>	500:1	
<b>Safe sideload</b>	100	% of R.C.
<b>Maximum safe central overload</b>	150	% of R.C.
<b>Ultimate central overload</b>	300	% of R.C.
<b>Excitation, recommended</b>	15	VDC or VAC RMS
<b>Excitation, maximum</b>	25	VDC or VAC RMS
<b>Input impedance</b>	686–714	Ω
<b>Output impedance</b>	699–707	Ω
<b>Insulation resistance at 50 VDC</b>	>1000	MΩ
<b>Material</b>	Stainless steel	
<b>Environmental protection</b>	IP67 IP68 welded seals, glass to metal seal	Standard Special

FSO—Full Scale Output

All specifications subject to change without notice.



## Disclaimer

ALL PRODUCTS, PRODUCT SPECIFICATIONS AND DATA ARE SUBJECT TO CHANGE WITHOUT NOTICE.

Vishay Precision Group, Inc., its affiliates, agents, and employees, and all persons acting on its or their behalf (collectively, "VPG"), disclaim any and all liability for any errors, inaccuracies or incompleteness contained herein or in any other disclosure relating to any product.

The product specifications do not expand or otherwise modify VPG's terms and conditions of purchase, including but not limited to, the warranty expressed therein.

VPG makes no warranty, representation or guarantee other than as set forth in the terms and conditions of purchase. **To the maximum extent permitted by applicable law, VPG disclaims (i) any and all liability arising out of the application or use of any product, (ii) any and all liability, including without limitation special, consequential or incidental damages, and (iii) any and all implied warranties, including warranties of fitness for particular purpose, non-infringement and merchantability.**

Information provided in datasheets and/or specifications may vary from actual results in different applications and performance may vary over time. Statements regarding the suitability of products for certain types of applications are based on VPG's knowledge of typical requirements that are often placed on VPG products. It is the customer's responsibility to validate that a particular product with the properties described in the product specification is suitable for use in a particular application. You should ensure you have the current version of the relevant information by contacting VPG prior to performing installation or use of the product, such as on our website at [vpgsensors.com](http://vpgsensors.com).

No license, express, implied, or otherwise, to any intellectual property rights is granted by this document, or by any conduct of VPG.

The products shown herein are not designed for use in life-saving or life-sustaining applications unless otherwise expressly indicated. Customers using or selling VPG products not expressly indicated for use in such applications do so entirely at their own risk and agree to fully indemnify VPG for any damages arising or resulting from such use or sale. Please contact authorized VPG personnel to obtain written terms and conditions regarding products designed for such applications.

Product names and markings noted herein may be trademarks of their respective owners.

Copyright Vishay Precision Group, Inc., 2014. All rights reserved.